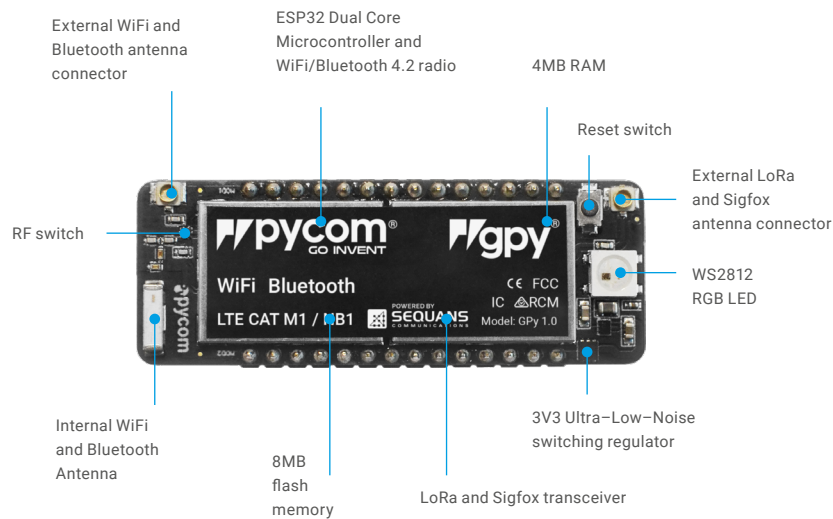




Datasheet
Version 1.0



1.0	Overview	03	13.0	Bluetooth	13
2.0	Features	03	13.1	Supported features	13
3.0	Specifications	04	13.2	Specification	13
3.1	CPU	04	13.2.1	Receiver – Basic Data Rate	13
3.2	Memory	04	13.2.2	Receiver – Enhanced Data Rate	14
3.3	WiFi	04	13.2.3	Receiver – Bluetooth LE	15
3.4	Bluetooth	04	13.2.4	Transmitter – Basic Data Rate	16
3.5	LTE CAT–M1/NB–IoT	04	13.2.5	Transmitter – Enhanced Data Rate	17
3.6	RTC	04	13.2.6	Transmitter – Bluetooth LE	18
3.7	Security	04	14.0	LTE CAT–M1/NB–IoT	19
3.8	Hash / encryption	04	14.1	Supported features	19
4.0	Block Diagram	04	14.2	Specifications	19
5.0	Pinout	05	14.2.1	Supported LTE bands	19
6.0	Pin Details	06	14.3	SIM Card requirements	19
6.1	Remapping Pins	07	14.4	Certified carriers	19
7.0	ESP32 Peripherals	08	15.0	Electrical Characteristics	20
7.1	RTC	08	15.1	Absolute maximum ratings	20
8.0	Programming the device	09	15.2	Input/Output characteristics	20
8.1	UART	09	16.0	Minimum Recommended Circuit	21
8.2	Wi-Fi	09	17.0	Mechanical Specifications	22
8.2.1	Telnet	09	18.0	Recommended Land Patterns	22
8.2.2	FTP	09	19.0	Soldering Profile	23
9.0	Boot modes	09	20.0	Ordering Information	23
9.1	Bootloader mode	09	21.0	Packaging	23
9.2	Safe boot	09	22.0	Certification	24
10.0	Power	10	22.1	EU Regulatory Conformance	24
10.1	Current consumption by power modes/features measured at 5V	10	22.2	Federal Communication Commission Interference Statement	24
11.0	Memory Map	11	22.2.1	RF Warning Statement	24
11.1	Flash	11	22.2.2	OEM integrator conditions	24
11.2	RAM	11	22.2.3	End Product Labelling	25
11.3	ROM and eFuses	11	22.2.4	Manual Information to the End User	25
12.0	WiFi	12	23.0	Revision History	25
12.1	Supported features	12			
12.2	Specifications	12			



Size
55mm x 20mm x 9.7mm
(with headers)

Temperature Range
-20 to +85 °C

1.0 Overview

With WiFi, BLE and cellular LTE-CAT M1/NB1, the GPy is the latest Pycom triple-bearer MicroPython enabled micro controller on the market today – the perfect enterprise grade IoT platform for your connected Things. Create and connect your things everywhere, fast.

2.0 Features

- Powerful CPU, BLE and state of the art WiFi radio.
- Can also double up as a Nano LoRa gateway
- MicroPython enabled
- Fits in a standard breadboard (with headers)
- Ultra-low power usage: a fraction compared to other connected micro controllers
- World ready, one product covers all LTE-M bands

3.0 Specifications

3.1 CPU

- Xtensa® dual-core 32-bit LX6 microprocessor(s), up to 600 DMIPS
- Hardware floating point acceleration
- Python multi-threading
- An extra ULP-coprocessor that can monitor GPIOs, the ADC channels and control most of the internal peripherals during deep-sleep mode while only consuming ~25uA.

3.2 Memory

- RAM: 520KB + 4MB
- External flash: 8MB

3.3 WiFi

- 802.11b/g/n 16mbps

3.4 Bluetooth

- Low energy and classic

3.5 LTE CAT-M1/NB-IoT

- One single chip for both CAT M1 and NB1
- 3GPP release 13 LTE Advanced Pro
- Supports narrowband LTE UE categories M1/NB1
- Integrated baseband, RF, RAM memory and power management
- Reduced TX power class option
- Peak power estimations:
TX current = 420mA peak @1.5Watt
RX current = 330mA peak @1.2Watt
- Extended DRX (eDRX) and PSM features for long sleep duration use cases

3.6 RTC

- Running at 150kHz

3.7 Security

- SSL/TLS support
- WPA Enterprise security

3.8 Hash / encryption

- SHA
- MD5
- DES
- AES

4.0 Block Diagram

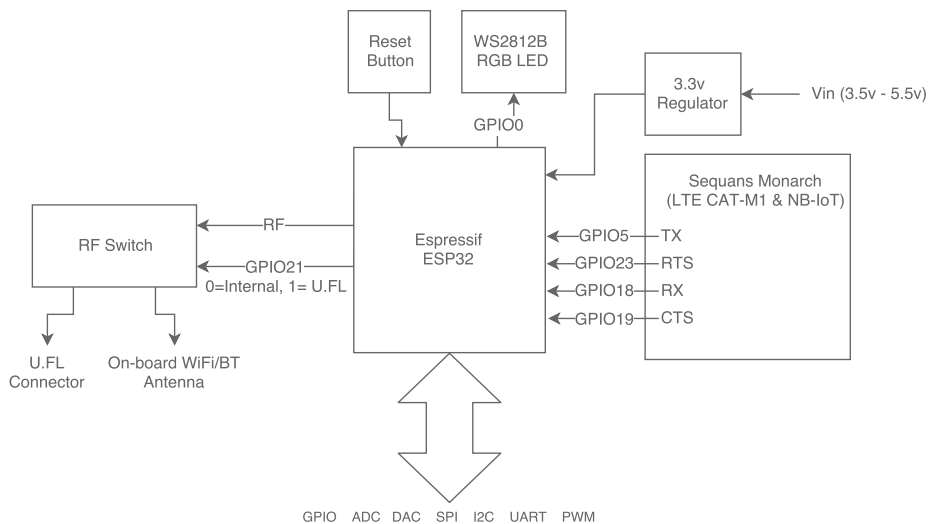
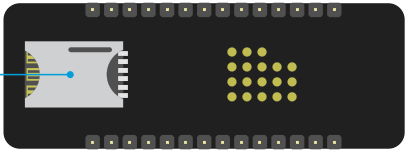
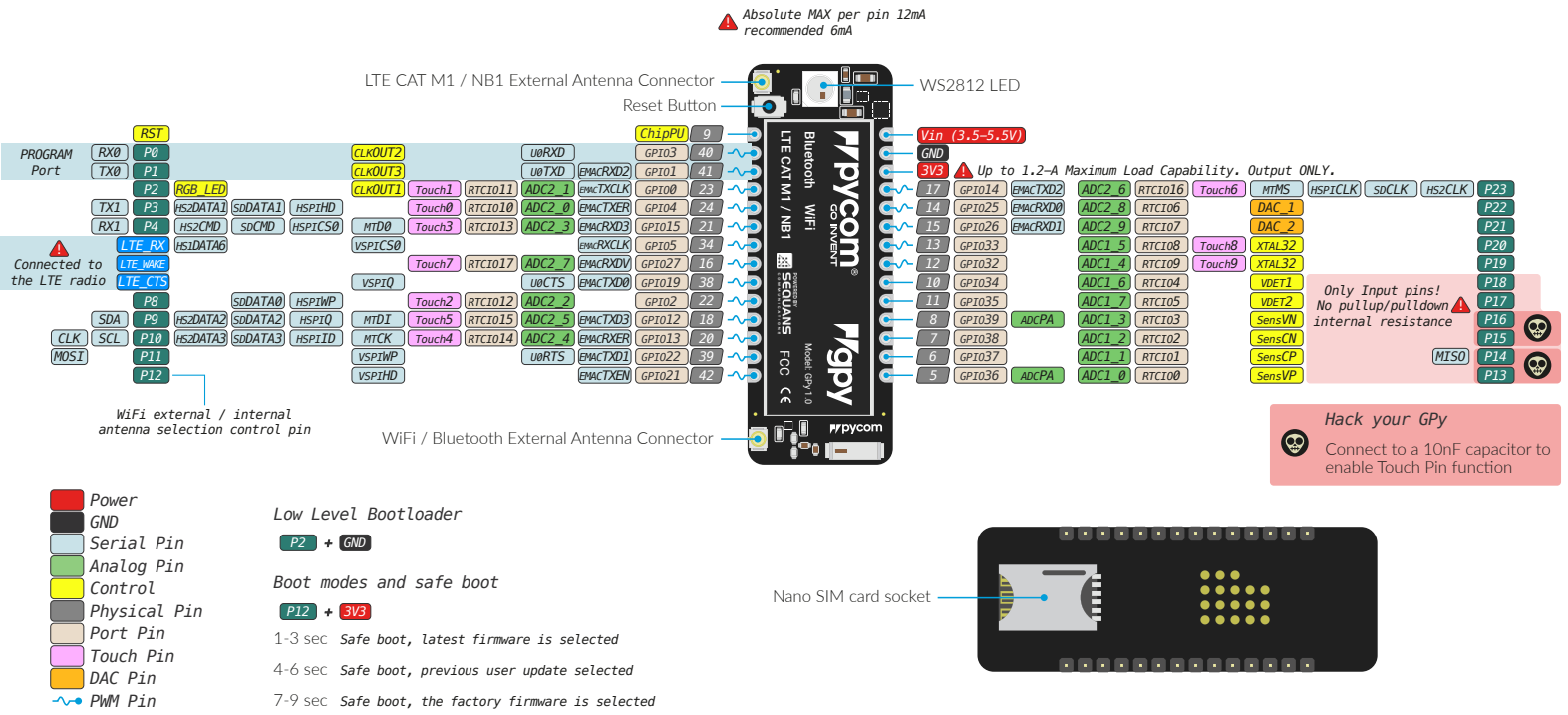


Figure 1 – System block diagram

5.0 Pinout



22/03/18

Figure 2 – Module pinout diagram

Note: The ESP32 supports remapping its peripherals to alternative pins. See below for a detailed list.

6.0 Pin Details

Table 1 – Module pinout

Module Pin	ESP32 GPIO	Pin Name	Default Function	ADC	PWM	RTC+	Notes
1	–	–	Reset				Active Low, connected to on-board button
2	3	P0	RX0 (Programming)		•		Used by the bootloader and to program the module
3	1	P1	TX0 (Programming)		•		Used by the bootloader and to program the module
4	0	P2		2*	•	•	If tied to GND during boot the device will enter bootloader mode, connected to the on-board RGB LED
5	4	P3	TX1	2*	•	•	
6	15	P4	RX1	2*	•	•	JTAG TDO, SD card CMD
7	5	–	Sequans modem RX		•		Not recommended for external use, 921600 Baud
8	27	–	Sequans modem Interrupt	2*	•	•	Not recommended for external use
9	19	–	Sequans modem CTS		•		Not recommended for external use
10	2	P8		2*	•	•	SD card DAT0
11	12	P9	SDA	2*	•	•	JTAG TDI
12	13	P10	SCL (I2C) / CLK (SPI)	2*	•	•	JTAG TCK
13	22	P11	MOSI		•		
14	21	P12			•		If tied to 3.3V during boot the device enters safe boot mode, JTAG MISO, External WiFi/BT antenna switch, Low = on-board, High = U.FL
15	36	P13		1		•	Input only
16	37	P14	MISO	1		•	Input only
17	38	P15		1		•	Input only
18	39	P16		1		•	Input only

6.0 Pin Details

Table 1 – Module pinout

Module Pin	ESP32 GPIO	Pin Name	Default Function	ADC	PWM	RTC†	Notes
19	35	P17		1		•	Input only
20	34	P18		1		•	Input only
21	32	P19		1	•	•	
22	33	P20		1	•	•	
23	26	P21		2*	•	•	DAC
24	25	P22		2*	•	•	DAC
25	14	P23		2*	•	•	JTAG TMS, SD SCLK
26	–	–	Regulated 3.3V supply				Output only, do not feed 3.3V into this pin or you can damage the regulator
27	–	–	Ground				
28	–	–	Voltage Input				Accepts a voltage between 3.5V and 5.5V
–	23	–	Sequans modem TX				921600 Baud
–	18	–	Sequans modem RTS				

† The pins on the RTC power domain can be used during deep sleep, specifically GPIO pins will maintain their state while in deep sleep.

* ADC2 is currently not supported in the micropython firmware

6.1 Remapping Pins

The ESP32 features comprehensive pin remapping functionality. This allows peripherals to be mapped onto almost any available GPIO pins. The above table merely shows the default assignments. For example, the default mapping has the SPI and I2C clocks overlapping,

meaning both cannot be used simultaneously without remapping one to a different pin. For a detailed guide of what peripheral can be assigned to what pins please read “Appendix A – ESP32 Pin Lists” of the ESP32 datasheet.

7.0 ESP32 Peripherals

Table 2 – Peripherals

Peripheral	Count	Pins
UART	3	Remappable to any GPIO. Note: P13–18 can only be mapped to RX or CTS since they are input only.
I2C	2	Remappable to any GPIO except P13–18 since they are input only and I2C is bi-directional.
SPI	3	Remappable to any GPIO. Note: P13–18 can only be mapped to MISO since they are input only.
CAN*	1	Remappable to any GPIO. Note: P13–18 can only be mapped to RX since they are input only.
JTAG	1	TDO = P4, TDI = P9, TCK = P10, TMS = P24
PWM	1	All GPIO except P13–18 which are input only
ADC	18	Fixed mapping, see Table 1, Only ADC 1 is supported in our micropython firmware.
DAC	2	Only available on P21 and P22
SD	1	DAT0 = P8, SCLK = P23, CMD = P4

* Requires an external CAN bus transceiver, we recommend the SN65HVD230 from Texas Instruments.

For a more detailed description of the ESP32 peripherals along with peripherals not currently supported by our firmware, please check the ESP32 datasheet.

7.1 RTC

Our modules by default all use the internal RC oscillator at 150kHz for the RTC. If you require better accuracy/stability you can connect a 32.768 kHz crystal (or TCXO) externally on pins P19 and P20 (or P19 for a TXCO)

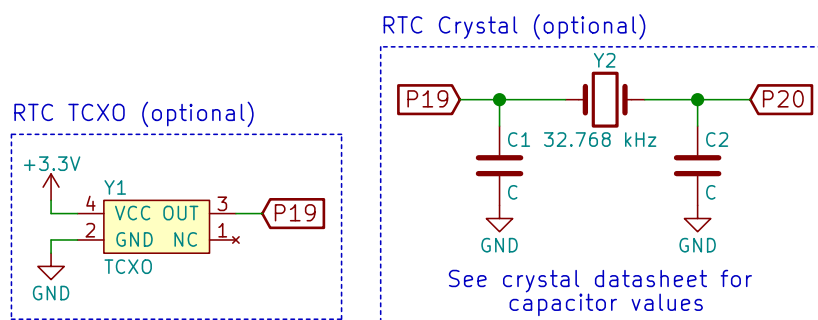


Figure 2 – External RTC crystal circuits

8.0 Programming the device

8.1 UART

By default, the modules run an interactive python REPL on UART0 which is connected to P0 (RX) and P1 (TX) running at 115200 baud. The easiest way to connect to the GPy is via our expansion board, but any USB UART adapter will suffice. Code can be run via this interactive REPL or you can use our PyMakr plugin for Atom or Visual Studio Code to upload code to the board.

8.2 Wi-Fi

By default, the GPy also acts as a Wi-Fi access point.
 SSID: gpy-wlan-XXXX
 Password: www.pycom.io
 Once connected to the GPy's Wi-Fi network you can access it in two ways.

9.0 Boot modes

9.1 Bootloader mode

In order to update the firmware of the GPy device, it needs to be placed into bootloader mode. In order to do this, P2 needs to be connected to ground when the device reboots. Once in bootloader mode you can use the Pycom firmware update tool to update to the latest official firmware. If you are developing your own firmware based on our open-source firmware, a flashing script is provided with the source code.

8.2.1 Telnet

Running on port 23 is a telnet server. This acts in a very similar way to the UART. It presents you with an interactive REPL and can also be used to upload code via PyMakr.

8.2.2 FTP

The GPy also runs a FTP server that allows you to copy files to and from the device, include an SD card if one is connected. To connect to this FTP server, you need to use plain FTP (un-encrypted) with the following credentials
 User: micro
 Password: python

9.2 Safe boot

The micropython firmware features a safe boot feature that skips the boot.py and main.py scripts and goes straight to the REPL. This is useful if the device is programmed with code that causes the device to crash or become inaccessible. To access this mode, you need to connect P12 to 3.3V and reset the device. Upon entering safe boot mode, the on-board LED will begin to blink orange. Depending on the duration the pin is held at 3.3V, a different firmware will be run.

Table 3 – Boot modes

0–3 Seconds	3–6 Seconds
Current firmware without running boot.py or main.py	Previous firmware if the firmware was uploaded via OTA (without running boot.py and main.py)

10.0 Power

The GPy features an on-board voltage regulator that takes 3.5V – 5.5V from the VIN pin and regulates it to 3.3V. It is important to only use the 3.3V as an output and not try to feed 3.3V into this pin as this could damage the regulator.

10.1 Current consumption by power modes/features measured at 5V

Table 4 – Power consumption by feature

Mode	Min	Avg.	Max	Units
Idle (no radios)	–	60	–	mA
LTE Transmit	–	173	285	mA
LTE Attached	–	74.5	–	mA
WiFi AP	–	123	–	mA
WiFi client	–	134	–	mA
Bluetooth	–	114	–	mA
Deep sleep	–	24.0	–	µA

11.0 Memory Map

11.1 Flash

Table 5 – Flash memory map

Name	Description	Start address	Size
NVS	Non-volatile RAM area. Used by the NVS API	0x9000	0x7000
Firmware Slot 0	First firmware slot. Factory firmware is flashed here	0x10000	0x180000
OTA info	Information about the current active firmware	0x190000	0x1000
Firmware Slot 1	Second firmware slot	0x1A0000	0x180000
File system	504KB file system on devices with 4MB flash	0x380000	0x7F000
Config	Config area for LoRa, Sigfox and LTE	0x3FF000	0x1000
File system (2)	4MB file system on devices with 8MB flash	0x400000	0x400000

11.2 RAM

Table 6 – RAM memory map

Name	Description	Size
On-chip SRAM	Internal RAM memory used by the 2 xtensa CPUs	520KB
Fast RTC RAM	Fast RAM area accessible by the xtensa cores during boot and sleep modes	8KB
Slow RTC RAM	Slow RAM area accessible by the Ultra-Low Power Coprocessor during deep sleep	8KB
External pSRAM	External QSPI RAM memory clocked @ 40MHz	4MB

11.3 ROM and eFuses

Table 7 – Miscellaneous memory

Name	Description	Size
On-chip ROM	Contains core functions and boot code.	448KB
eFuse	256 bits are used for the system (MAC address and chip configuration) and the remaining 768 bits are reserved for customer applications, including Flash-Encryption and Chip-ID	1kbit

12.0 WiFi

12.1 Supported features

- 802.11 b/g/n/e/i
- 802.11 n (2.4 GHz), up to 150 Mbps
- 802.11 e: QoS for wireless multimedia technology
- WMM-PS, UAPSD
- A-MPDU and A-MSDU aggregation
- Block ACK
- Fragmentation and defragmentation
- Automatic Beacon monitoring/scanning
- 802.11 i security features: pre-authentication and TSN
- Wi-Fi Protected Access (WPA)/WPA2/WPA2-Enterprise/Wi-Fi Protected Setup (WPS)
- Infrastructure BSS Station mode/SoftAP mode
- Wi-Fi Direct (P2P), P2P Discovery, P2P Group Owner mode and P2P Power Management

12.2 Specifications

Table 8 – WiFi specifications

Description	Min	Typ.	Max	Unit
Input Frequency	2412	–	2484	MHz
Tx power Output power of PA for 72.2 Mbps	13	14	15	dBm
Output power of PA for 11b mode	19.5	20	20.5	dBm
Sensitivity				
DSSS, 1Mbps	–	–	98	dBm
CCK, 11 Mbps	–	–	91	dBm
OFDM, 6 Mbps	–	–	93	dBm
OFDM, 54 Mbps	–	–	75	dBm
HT20, MCS0	–	–	93	dBm
HT20, MCS7	–	–	73	dBm
HT40, MCS0	–	–	90	dBm
HT40, MCS7	–	–	70	dBm
MCS32	–	–	89	dBm
Adjacent channel rejection				
OFDM, 6 Mbps	–	37	–	dB
OFDM, 54 Mbps	–	21	–	dB
HT20, MCS0	–	37	–	dB
HT20, MCS7	–	20	–	dB

13.0 Bluetooth

13.1 Supported features

- Compliant with Bluetooth v4.2 BR/EDR and BLE specification
 - Class-1, class-2 and class-3 transmitter without external power amplifier
 - Enhanced power control
 - +12 dBm transmitting power
 - NZIF receiver with -97 dBm sensitivity
 - Adaptive Frequency Hopping (AFH)
 - Standard HCI based on SDIO/SPI/UART
 - High-speed UART HCI, up to 4 Mbps
 - BT 4.2 controller and host stack
- Service Discover Protocol (SDP)
 - General Access Profile (GAP)
 - Security Manage Protocol (SMP)
 - ATT/GATT
 - HID
 - All GATT-based profile supported
 - SPP-like GATT-based profile
 - BLE Beacon
 - A2DP/AVRCP/SPP, HSP/HFP, RFCOMM
 - CVSD and SBC for audio codec
 - Bluetooth Piconet and Scatternet

13.2 Specification

13.2.1 Receiver – Basic Data Rate

Table 9 – Receiver (basic data rate) specifications

Parameter	Min	Typ.	Max	Unit
Sensitivity @0.1% BER	-	-94	-	dBm
Maximum received signal @0.1% BER	0	-	-	dBm
Co-channel C/I	-	+7	-	dB
Adjacent channel selectivity C/I	F = F0 + 1 MHz	-	-6	dB
	F = F0 - 1 MHz	-	-6	dB
	F = F0 + 2 MHz	-	-25	dB
	F = F0 - 2 MHz	-	-33	dB
	F = F0 + 3 MHz	-	-25	dB
	F = F0 - 3 MHz	-	-45	dB
Out-of-band blocking performance	30Mhz ~ 2000MHz	-10	-	dBm
	2000MHz ~ 2400MHz	-27	-	dBm
	2500MHz ~ 3000MHz	-27	-	dBm
	3000MHz ~ 12.5GHz	-10	-	dBm
Intermodulation	-36	-	-	dBm

13.2.2 Receiver – Enhanced Data Rate

Table 10 – Receiver (basic data rate) specifications

Parameter		Min	Typ.	Max	Unit
$\pi/4$ DQPSK					
Sensitivity @0.1% BER		–	–90	–	dBm
Maximum received signal @0.1% BER		–	0	–	dBm
Co–channel C/I		–	11	–	dB
Adjacent channel selectivity C/I	F = F0 + 1 MHz	–	–7	–	dB
	F = F0 – 1 MHz	–	–7	–	dB
	F = F0 + 2 MHz	–	–25	–	dB
	F = F0 – 2 MHz	–	–35	–	dB
	F = F0 + 3 MHz	–	–25	–	dB
	F = F0 – 3 MHz	–	–45	–	dB
8DPSK					
Sensitivity @0.1% BER		–	–84	–	dBm
Maximum received signal @0.1% BER		–	–5	–	dBm
C/I c–channel		–	18	–	dB
Adjacent channel selectivity C/I	F = F0 + 1 MHz	–	2	–	dB
	F = F0 – 1 MHz	–	2	–	dB
	F = F0 + 2 MHz	–	–25	–	dB
	F = F0 – 2 MHz	–	–25	–	dB
	F = F0 + 3 MHz	–	–25	–	dB
	F = F0 – 3 MHz	–	–38	–	dB

13.2.3 Receiver – Bluetooth LE

Table 11 – Receiver (BLE) specifications

Parameter		Min	Typ.	Max	Unit
Sensitivity @30.8% PER		-	-97	-	dBm
Maximum received signal @30.8% PER		0	-	-	dBm
Co-channel C/I		-	+10	-	dB
Adjacent channel selectivity C/I	F = F0 + 1MHz	-	-5	-	dB
	F = F0 - 1MHz	-	-5	-	dB
	F = F0 + 2MHz	-	-25	-	dB
	F = F0 - 2MHz	-	-35	-	dB
	F = F0 + 3MHz	-	-35	-	dB
	F = F0 - 3MHz	-	-45	-	dB
Out-of-band blocking performance	30MHz ~ 2000MHz	-10	-	-	dB
	2000MHz ~ 2400MHz	-27	-	-	dBm
	2500MHz ~ 3000MHz	-27	-	-	dBm
	3000MHz ~ 12.5GHZ	-10	-	-	dBm
Intermodulation		-36	-	-	dBm

13.2.4 Transmitter – Basic Data Rate

Table 12 – Transmitter (basic data rate) specifications

Parameter	Min	Typ.	Max	Unit	
RF transmit power	–	0	–	dBm	
Gain control step	–	±3	–	dBm	
RF power control range	–12	–	+12	dBm	
+20 dB bandwidth	–	0.9	–	MHz	
Adjacent channel transmit power	F = F0 + 1 MHz	–	–24	–	dBm
	F = F0 – 1 MHz	–	–16.1	–	dBm
	F = F0 + 2 MHz	–	–40.8	–	dBm
	F = F0 – 2 MHz	–	–35.6	–	dBm
	F = F0 + 3 MHz	–	–45.7	–	dBm
	F = F0 – 3 MHz	–	–40.2	–	dBm
	F = F0 + >3 MHz	–	45.6	–	dBm
	F = F0 – >3 MHz	–	44.6	–	dBm
$\Delta f_{1_{avg}}$	–	–	155	KHz	
$\Delta f_{2_{max}}$	133.7			KHz	
$\Delta f_{2_{avg}}/\Delta f_{1_{avg}}$	–	0.92	–	–	
ICFT	–	–7	–	KHz	
Drift rate	–	0.7	–	KHz/50 μ s	
Drift (1 slot packet)	–	6	–	KHz	
Drift (5 slot packet)	–	6	–	KHz	

13.2.5 Transmitter – Enhanced Data Rate

Table 13 – Transmitter (enhanced data rate) specifications

Parameter	Min	Typ.	Max	Unit	
RF transmit power	–	0	–	dBm	
Gain control step	–	±3	–	dBm	
RF power control range	–12	–	+12	dBm	
$\pi/4$ DQPSK max w_0	–	–0.72	–	KHz	
$\pi/4$ DQPSK max w_i	–	–6	–	KHz	
$\pi/4$ DQPSK max $ w_i + w_0 $	–	–7.42	–	KHz	
8DPSK max w_0	–	0.7	–	KHz	
8DPSK max w_i	–	–9.6	–	KHz	
8DPSK max $ w_i + w_0 $	–	–10	–	KHz	
$\pi/4$ DQPSK modulation accuracy	RMS DEVM	–	4.28	–	%
	99% DEVM	–	–	30	%
	Peak DEVM	–	13.3	–	%
8 DPSK modulation accuracy	RMS DEVM	–	5.8	–	%
	99% DEVM	–	–	20	%
	Peak DEVM	–	14	–	%
In-band spurious emissions	F = F ₀ + 1MHz	–	–34	–	dBm
	F = F ₀ – 1MHz	–	–40.2	–	dBm
	F = F ₀ + 2MHz	–	–34	–	dBm
	F = F ₀ – 2MHz	–	–36	–	dBm
	F = F ₀ + 3MHz	–	–38	–	dBm
	F = F ₀ – 3MHz	–	–40.3	–	dBm
	F = F ₀ ± >3MHz	–	–	–41.5	dBm
EDR differential phase coding	–	100	–	%	

13.2.6 Transmitter – Bluetooth LE

Table 14 – Transmitter (BLE) specifications

Parameter		Min	Typ.	Max	Unit
RF transmit power		-	0	-	dBm
Gain control step		-	±3	-	dBm
RF power control range		-12	-	+12	dBm
Adjacent channel transmit power	F = F0 + 1MHz	-	-14.6	-	dBm
	F = F0 - 1MHz	-	-12.7	-	dBm
	F = F0 + 2MHz	-	-44.3	-	dBm
	F = F0 - 2MHz	-	-38.7	-	dBm
	F = F0 + 3MHz	-	-49.2	-	dBm
	F = F0 - 3MHz	-	-44.7	-	dBm
	F = F0 + >3MHz	-	-50	-	dBm
	F = F0 - >3MHz	-	-50	-	dBm
$\Delta f_{1_{avg}}$		-	-	265	KHz
$\Delta f_{2_{max}}$		247	-	-	KHz
$\Delta f_{2_{avg}}/\Delta f_{1_{avg}}$		-	-0.92	-	-
ICFT		-	-10	-	KHz
Drift rate		-	0.7	-	KHz/50 μ s
Drift		-	2	-	KHz

14.0 LTE CAT-M1/NB-IoT

14.1 Supported features

- 12 bands supported from 699MHz to 2690MHz (Total worldwide support)
- 3GPP release 13 LTE Advanced Pro
- Supports narrowband LTE UE categories M1/NB1
- Integrated baseband, RF, RAM memory and power management
- Reduced TX power class option
- Extended DRX (eDRX) and PSM features for long sleep duration use cases

14.2 Specifications

Table 15 – Supported LTE modes

Parameter	Min	Typ.	Max	Unit	
Data rate	LTE Cat M1 in 1.4 Mhz, HD-FDD – DL	–	300	–	kbps
	LTE Cat M1 in 1.4 Mhz, HD-FDD – UP	–	375	–	kbps
	LTE Cat NB1 in 200 kHz, HD-FDD – DL	–	40	–	kbps
	LTE Cat NB1 in 200 kHz, HD-FDD – UL	–	55	–	kbps

14.2.1 Supported LTE bands

Table 16 – Supported LTE bands

Bands	TX Frequencies	RX Frequencies
Low Bands 5, 8, 12, 13, 18, 19, 20, 28	699 to 915 MHz	729 to 960 MHz
Mid Bands 1, 2, 3, 4	1710 to 1980 MHz	1805 to 2170 MHz

14.3 SIM Card requirements

Table 17 – SIM card specifications

Parameter	Min	Typ.	Max	Unit
Form factor	–	Nano-SIM	–	–
Variant	–	USIM	–	–
Supply Voltage	–	1.8	–	v

14.4 Certified carriers

Table 18 – Certified carriers

Carrier	Country	Network
Verizon US	United States	LTE CAT-M1

15.0 Electrical Characteristics

15.1 Absolute maximum ratings

Table 19 – Absolute maximum ratings

Parameter	Symbol	Min	Typ.	Max	Unit
Supply Input Voltage	V_{IN}	3.5	–	5.5	V
Supply Output Current	I_{OUT}	–	–	1.2	A
Supply Output Voltage	V_{3V3}	–	3.3	–	V
Storage Temperature	T_{STR}	–	–	–	°C
Operating Temperature	T_{OPR}	–40	–	85	°C
Moisture Sensitivity Level	MSL	–	1	–	–

15.2 Input/Output characteristics

Table 20 – Input/Output characteristics

Parameter	Symbol	Min	Typ.	Max	Unit
Input low voltage	V_{IL}	–0.3	–	$0.25 \times V_{3V3}$	V
Input high voltage	V_{IH}	$0.75 \times V_{3V3}$	–	$V_{3V3} + 0.3$	V
Max Input sink current	I_{SINK}	–	6	12	mA
Input leakage current	I_{IL}	–	–	50	nA
Input pin capacitance	C_{pin}	–	–	2	pF
Output low voltage	V_{OL}	$0.1 \times V_{3V3}$	–	–	V
Output high voltage	V_{OH}	$0.8 \times V_{3V3}$	–	–	V
Max Output source current	I_{SOURCE}	–	6	12	mA

16.0 Minimum Recommended Circuit

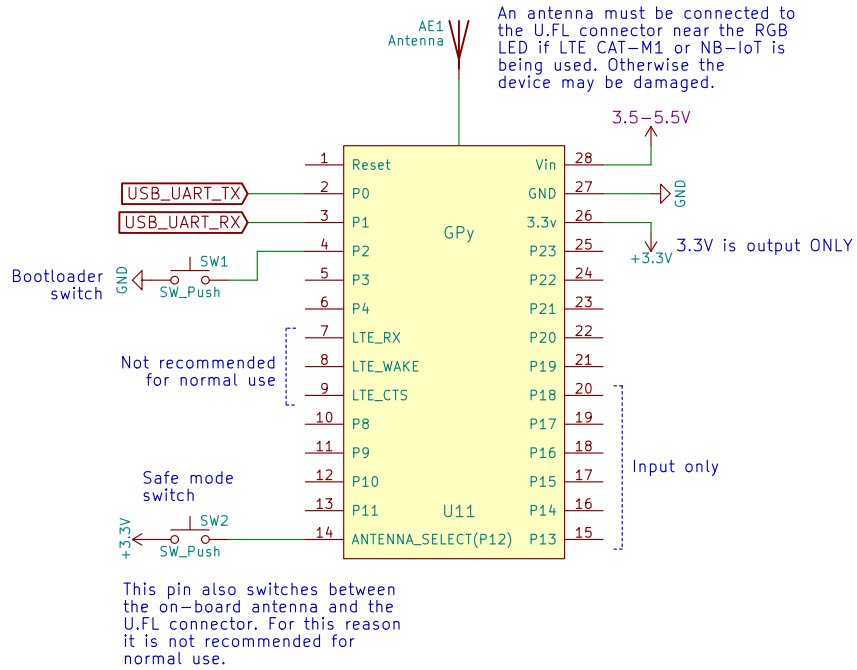


Figure 4 – Minimum required circuit

17.0 Mechanical Specifications

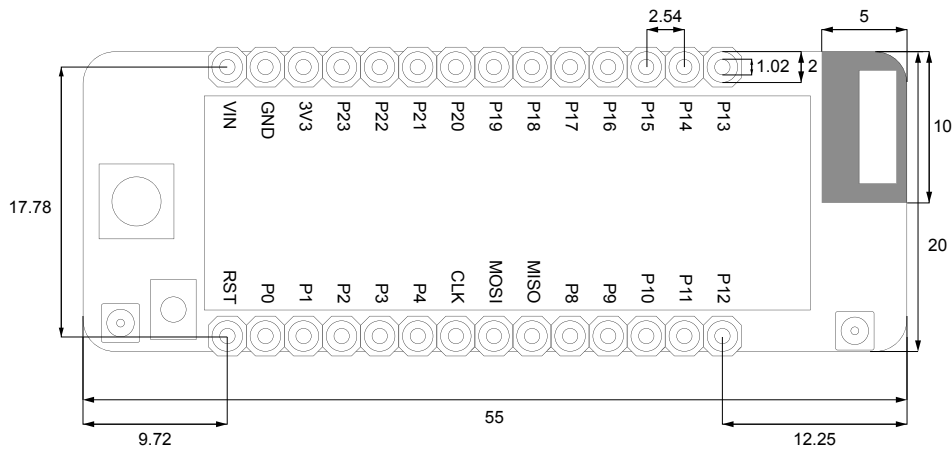


Figure 5 – Mechanical drawing (top down view) – Units: mm

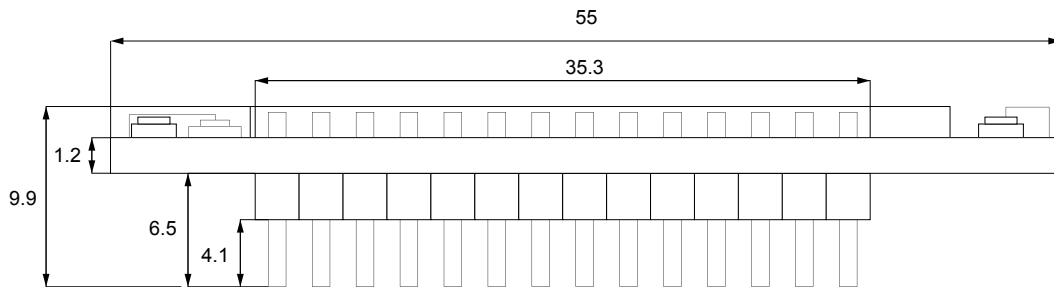


Figure 6 – Mechanical drawing (side view) – Units: mm

18.0 Recommended Land Patterns

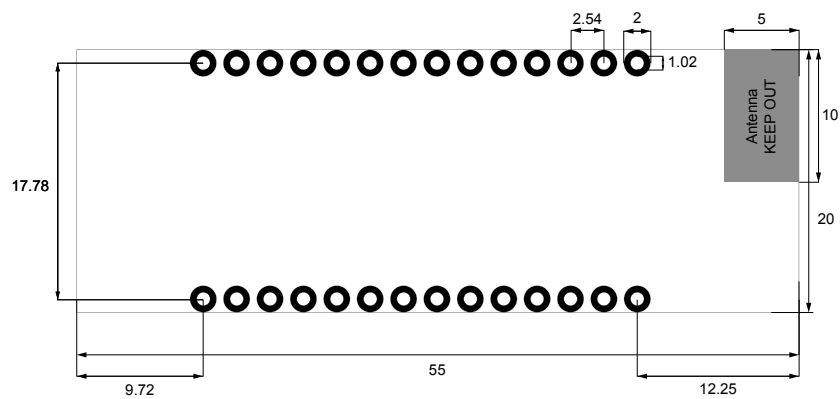


Figure 7– Recommended land pattern (through hole) – Units: mm

19.0 Soldering Profile

This device is not recommended for reflow soldering. The plastic of the pin headers will melt, instead please hand solder the module or use sockets.

20.0 Ordering Information

Table 21 – Ordering information

Product EAN	Description	Bundle	Contents
0700461242703	GPy 1.0	GPy Multi-Pack	1x GPy 1x Expansion Board or Pysense or Pytrack 1x LTE-M antenna Available in quantities of 1, 2 or 5
0700461341703	LTE-M Antenna		
0700461341680	External WiFi Antenna		
0700461341697	IP67 Antenna Pigtail		

For more product accessories like expansion board or cases visit our website: <http://www.pycom.io>

21.0 Packaging



Figure 8 – Mechanical drawing of packaging – Units: mm

The module will come inside a reusable anti-static bag. If the module has headers it will also be inserted into anti-static foam. Total weight inc. packaging: 31g

22.0 Certification

FCC 2AJMTGPY01R
IC 22263-GPY01R
CE 0700

Copies of the certificates can be found on our website.

Regulator Information

22.1 EU Regulatory Conformance

Hereby, Pycom Ltd declares that this device is in compliance with the essential requirements and other relevant provisions of Directive 1999/5/EC

22.2 Federal Communication Commission Interference Statement

This device complies with Part 15 of the FCC Rules. Operation is subject to the following two conditions:

1. This device may not cause harmful interference.
2. This device must accept any interference received, including interference that may cause undesired operation.

CAUTION: Changes or modifications not expressly approved by the party responsible for compliance could void the user's authority to operate the equipment.

NOTE: This equipment has been tested and found to comply with the limits for a Class B digital device, pursuant to Part 15 of the FCC Rules. These limits are designed to provide reasonable protection against harmful interference in a residential installation. This equipment generates, uses and can radiate radio frequency energy and, if not installed and used in accordance with the instructions, may cause harmful interference to radio communications. However, there is no guarantee that interference will not occur in a particular installation. If this equipment does cause harmful interference to radio or television reception, which can be determined by turning the equipment off and on, the user is encouraged to try to correct the interference by one or more of the following measures:

- Reorient or relocate the receiving antenna.
- Increase the separation between the equipment and receiver.
- Connect the equipment into an outlet on a circuit different from that to which the receiver is connected.
- Consult the dealer or an experienced radio/TV technician for help.

22.2.1 RF Warning Statement

To comply with FCC RF exposure compliance requirements, the antennas used for this transmitter must be installed to provide a separation distance of at least 20 cm from all persons and must not be co-located or operating in conjunction with any other antenna or transmitter.

22.2.2 OEM integrator conditions

This device is intended only for OEM integrators under the following conditions:

1. The antenna must be installed such that 20 cm is maintained between the antenna and users, and
2. The transmitter module may not be co-located with any other transmitter or antenna.

As long as the two conditions above are met, further transmitter test will not be required. However, the OEM integrator is still responsible for testing their end-product for any additional compliance requirements required with this module installed. To ensure compliance with all non-transmitter functions the host manufacturer is responsible for ensuring compliance with the module(s) installed and fully operational. For example, if a host was previously authorized as an unintentional radiator under the Declaration of Conformity procedure without a transmitter certified module and a module is added, the host manufacturer is responsible for ensuring that after the module is installed and operational the host continues to be compliant with the Part 15B unintentional radiator requirements.

The module is limited to OEM installation ONLY. The module is limited to installation in mobile or fixed application. We hereby acknowledge our responsibility to provide guidance to the host manufacturer in the event that they require assistance for ensuring compliance with the Part 15 Subpart B requirements.

IMPORTANT NOTE: In the event that these conditions cannot be met (for example certain laptop configurations or co-location with another transmitter), then the FCC authorization is no longer considered valid and the FCC ID cannot be used on the final product. In these circumstances, the OEM integrator will be responsible for re-evaluating the end product (including the transmitter) and obtaining a separate FCC authorization.

22.2.3 End Product Labelling

This transmitter module is authorized only for use in device where the antenna may be installed such that 20 cm may be maintained between the antenna and users. The final end product must be labelled in a visible area with the following: "Contains FCC ID: 2AJMTGPY01R". The grantee's FCC ID can be used only when all FCC compliance requirements are met.

The following FCC part 15.19 statement has to also be available on the label:

This device complies with Part 15 of FCC rules. Operation is subject to the following two conditions:

1. this device may not cause harmful interference and
2. this device must accept any interference received, including interference that may cause undesired operation.

22.2.4 Manual Information to the End User

The OEM integrator has to be aware not to provide information to the end user regarding how to install or remove this RF module in the user's manual of the end product which integrates this module.

In the user manual of the end product, the end user has to be informed that the equipment complies with FCC radio-frequency exposure guidelines set forth for an uncontrolled environment.

The end user has to also be informed that any changes or modifications not expressly approved by the manufacturer could void the user's authority to operate this equipment.

The end user manual shall include all required regulatory information/warning as show in this manual.

The maximum operating ambient temperature of the equipment declared by the manufacturer is -40~+85C

Receiver category 3

23.0 Revision History

Table 22 – Document revision history

Version 1.0

Initial Release