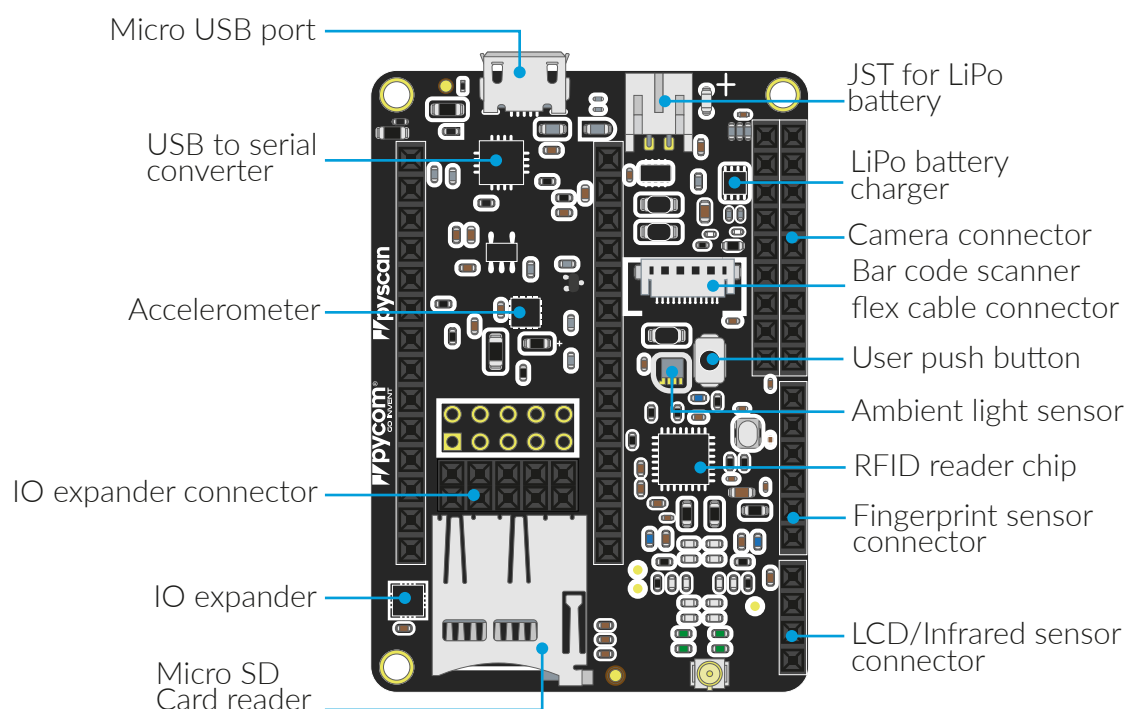
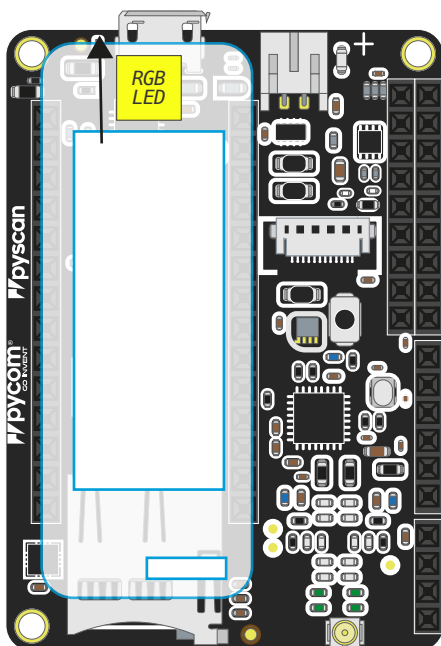


### Correct Board Mounting

RGB LED must be at the top of the board, above the USB connector



Distributed by Pycom Ltd.

Copyright © 2017 by Pycom Ltd. All rights reserved. No part of this document may be reproduced, distributed, or transmitted in any form or by any means, including photocopying, recording, or other electronic or mechanical methods, without the prior

written permission of Pycom Ltd, except in the case of brief quotations embodied in critical reviews and certain other noncommercial uses permitted by copyright law.

To order contact [sales@pycom.io](mailto:sales@pycom.io)

12 April 2018

